

Electrodes for resectoscopy

compatible with Storz resectoscopes



Electroresection electrodes
for prostate adenoma



Electrocoagulation electrodes
for prostate adenoma



Electrodes for electro-vaporization
of prostate adenoma



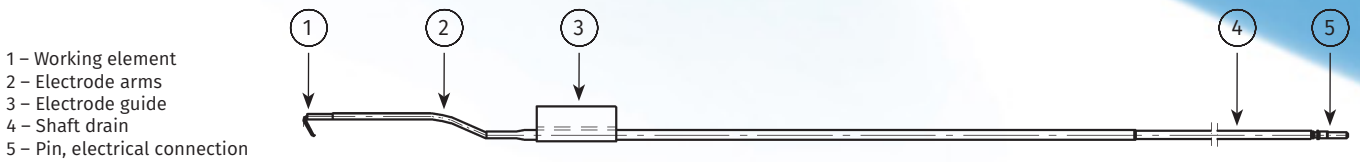
Electrodes for electro-incision
of prostate adenoma

Electrodes for resectoscopy compatible Storz resectoscopes

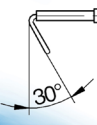

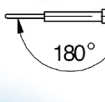
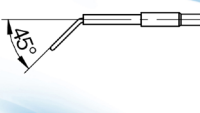
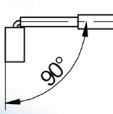
Electrodes are used for transurethral, minimally invasive surgical medical procedures for the treatment of benign prostatic hyperplasia (BPH).

Electrodes are sterile, disposable medical devices and are fully biocompatible.

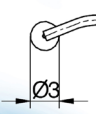

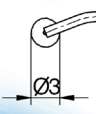
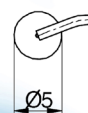
Electrodes are compatible Storz resectoscopes and can work in an environment of glycerin solution or sodium chloride (NaCl) solution. Electrodes ensure safe and stable transfer of high frequency „HF” current from a diathermy unit to the prostate tissue.



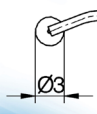



Electroresection electrodes for prostate adenoma

Electrode type	Work env.
 angular cutting loop - 30°	glycerin solution NaCl solution
 angular cutting loop - 90°	glycerin solution NaCl solution
 straight cutting loop	glycerin solution NaCl solution
 angular cutting loop - 45°	NaCl solution
 angular cutting and vaporizing loop	glycerin solution

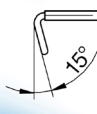
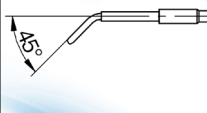
Electrocoagulation electrodes for prostate adenoma

Electrode type	Work env.
 ball Ø3	glycerin solution NaCl solution
 ball Ø5	glycerin solution NaCl solution
 ball Ø3	glycerin solution NaCl solution
 ball Ø5	glycerin solution NaCl solution

Electrodes for electro-vaporization of prostate adenoma

Electrode type	Work env.
 roller Ø3 spike	glycerin solution
 roller Ø5 spike	glycerin solution
 ball Ø3 spike	glycerin solution
 ball Ø5 spike	glycerin solution

Electrodes for electro-incision of prostate adenoma

Electrode type	Work env.
 15° knife	glycerin solution NaCl solution
 45° knife	glycerin solution NaCl solution

Electrode configurator

Each electrode has an individual REF number - available in the configurator at www.hagmed.com or after scanning the QR code



HAGMED Sp. z o.o. sp. k.

96-200 Rawa Mazowiecka ul. Tomaszowska 32, Poland
Phone 46 814 44 29; Fax. 46 814 48 05
e-mail info@hagmed.com www.hagmed.com

Electrodes and extension cables with different technical specifications are also available

All information about the products is provided by the HAGMED sales department.

Edition: OLY/1/2021/EN